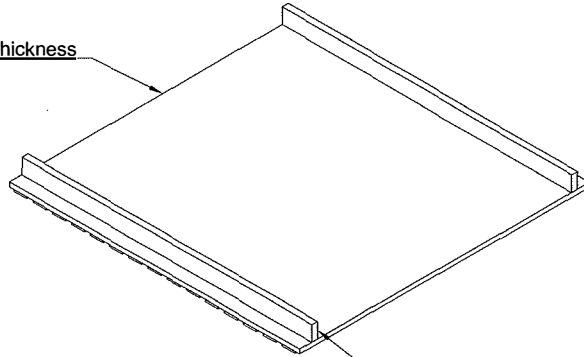


AkuTile Specifications

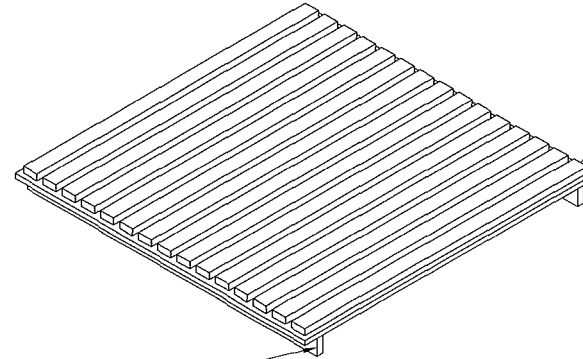
Top Side of Ceiling Tile

Bottom Side of Ceiling Tile

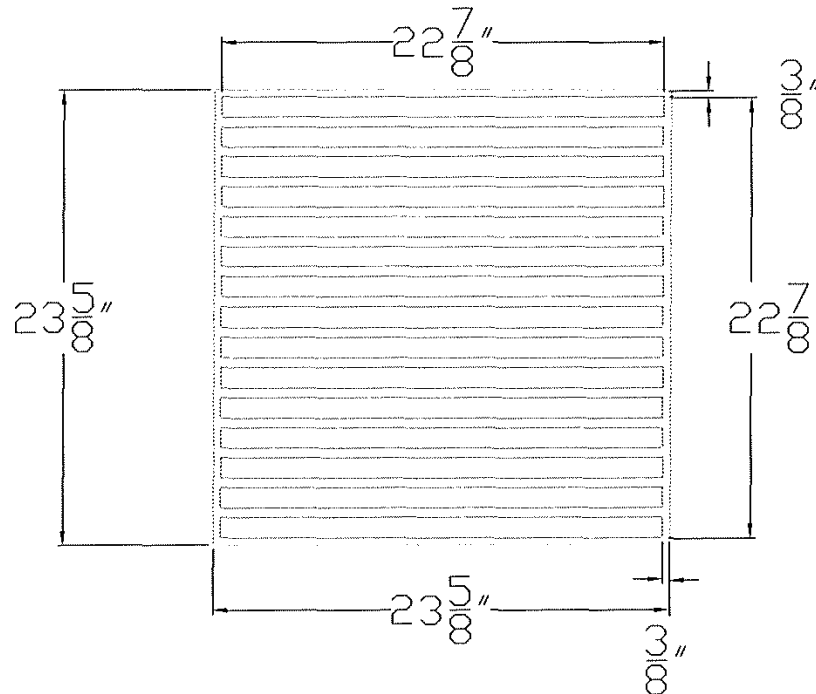
Class A PET Acoustical Backer 9mm thickness



12mm Class A MDF support slats for rigidity



Class A MDF Slats



AkuTile Specifications:
600mm x 600mm size to fit typical "2x2" ceiling grid systems.
Class A core materials used are from recycled products.
Slats can be faced with choice of wood veneer or HPL.